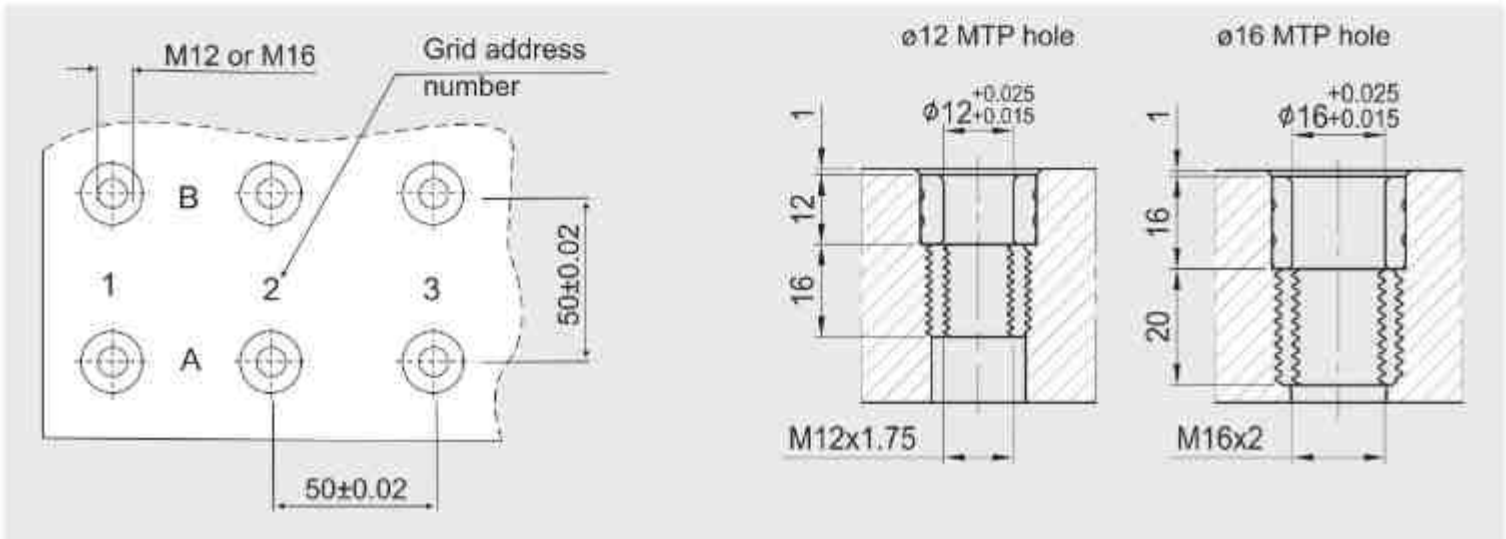
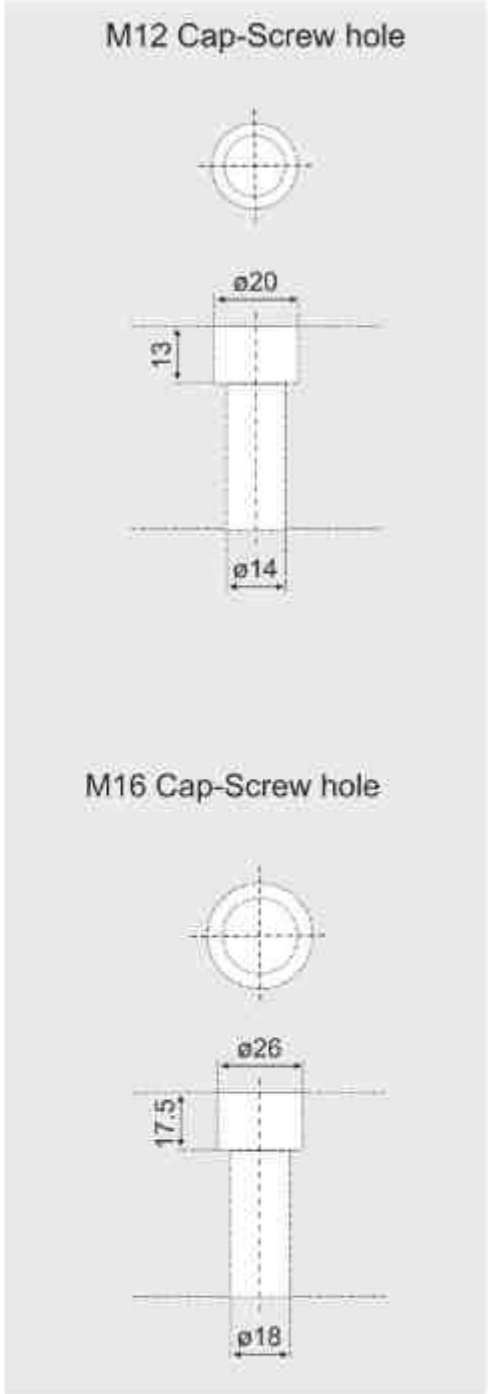
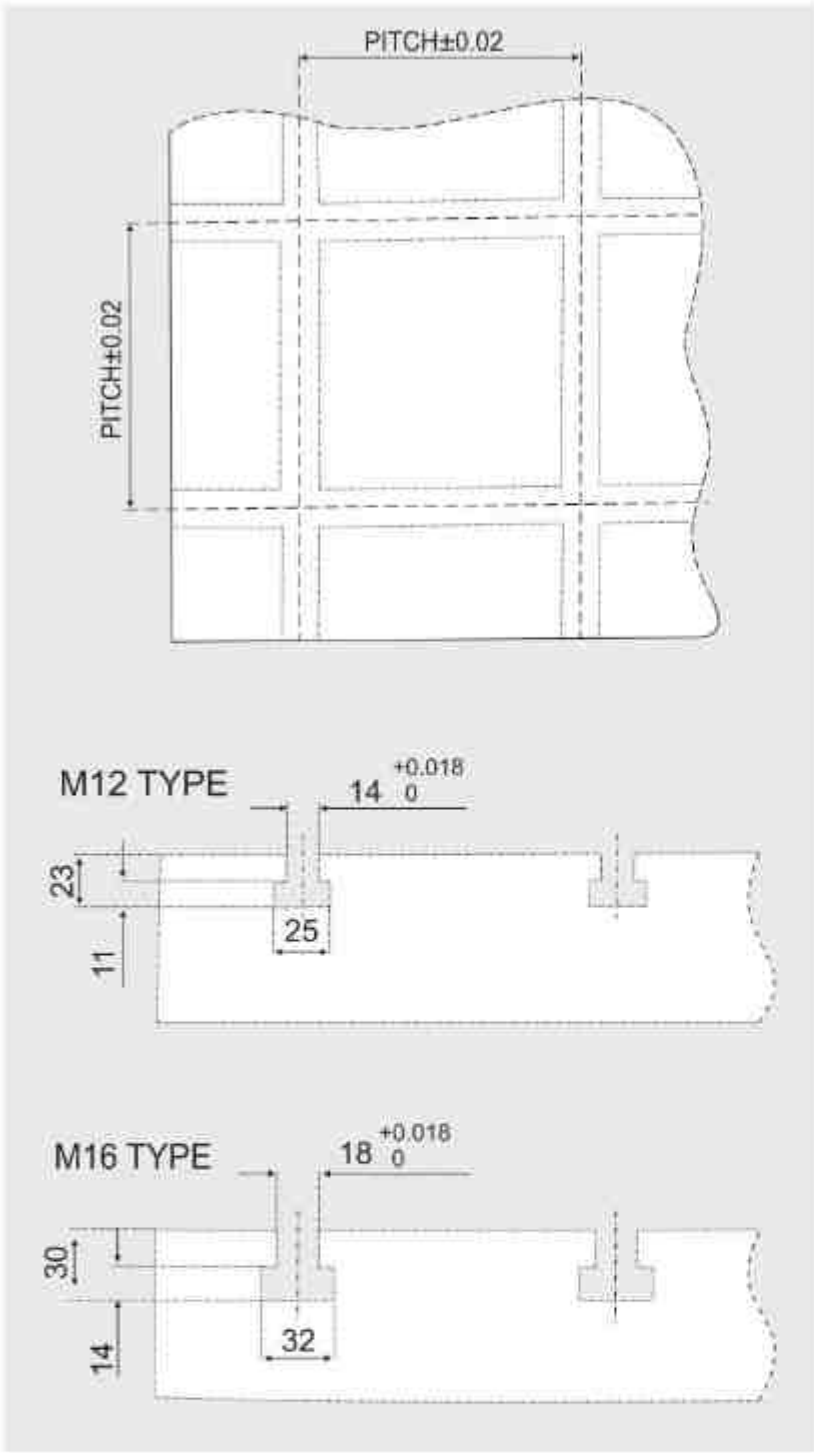


Manufacturing ▪ Marketing ▪ Sourcing

Work Holding Components

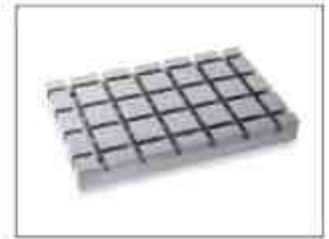
SPECIFICATIONS



INDEX

Rectangular Base Plates

1 - 3



Square Base Plates

4 - 6



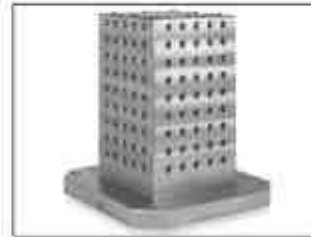
Round Base Plates

7 - 9



Square Clamping Column

10 - 12



Double Sided Clamping Column

13 - 15



Sub-table

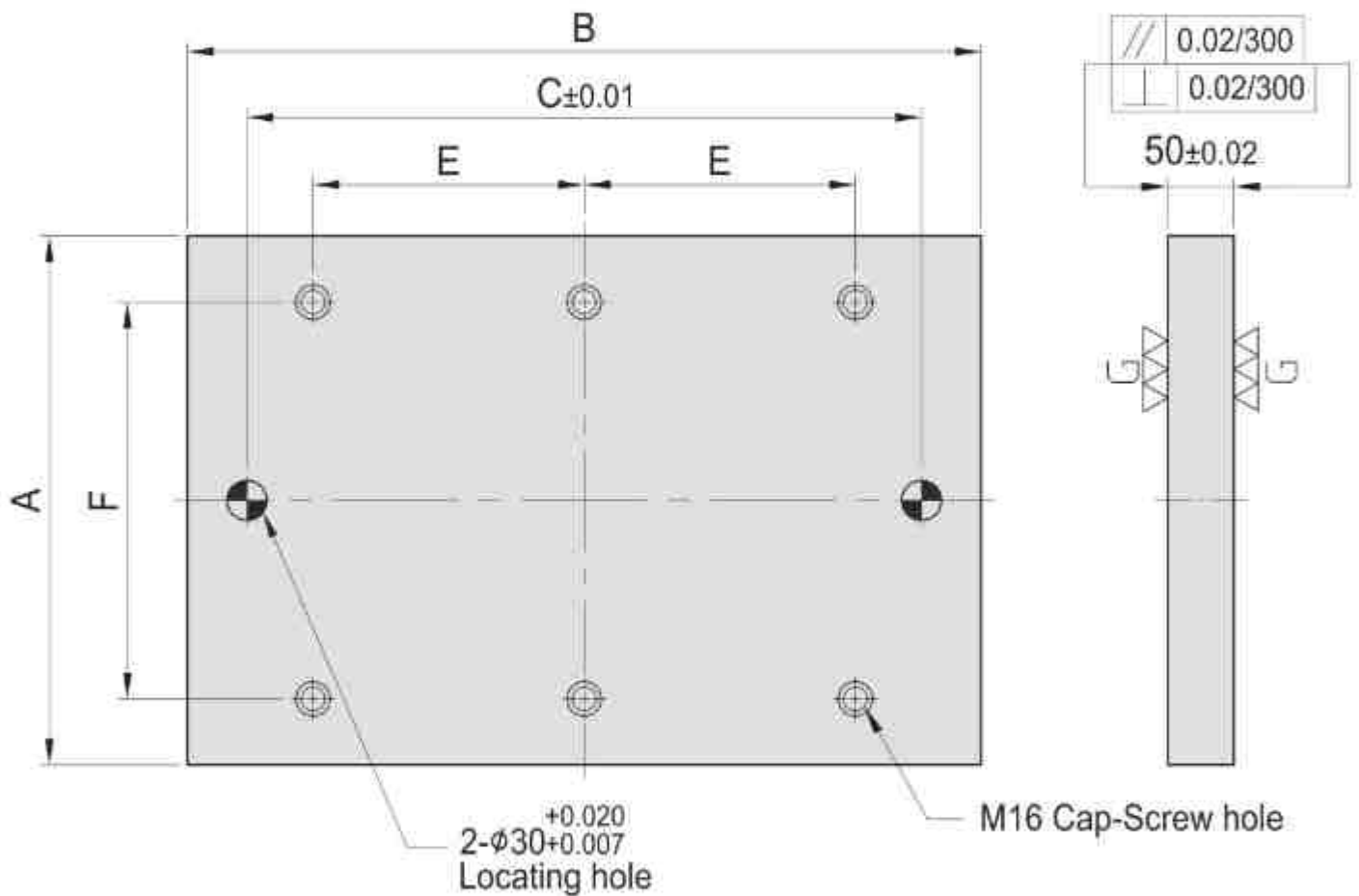
16



Rectangular Base Plate



- ▶ Material : Cast Iron GG30 (DIN) / C45
- ▶ Heat Treated (Normalized)
- ▶ Features : * Can be special ordered with any size MTP hole
- * Thickness available from 35mm to 50mm
- * All Plates are edge prepped by milling
- ▶ Application : Vertical machining center.



MODEL NO.	A	B	C	E	F	kg
BPP/RT/400600	400	600	-	-	-	88
BPP/RT/500600	500					106
BPP/RT/400800	400	800	-	-	-	113
BPP/RT/450900	450	900				142
BPP/RT/5001000	500	1000	-	-	-	176

* Right to make technical changes reserved.

Rectangular Base Plate



- ▶ Material : Cast Iron GG30 (DIN) / C45
- ▶ Heat Treated (Normalized)
- ▶ Features : * Alignment Bushing
 - * Threaded Insert
 - * MTP hole spacing : 50 ± 0.02
 - * Grid Holes available in M12 & M16
 - * Easily adapts to standardized jig components.
- ▶ Application : Vertical machining center.

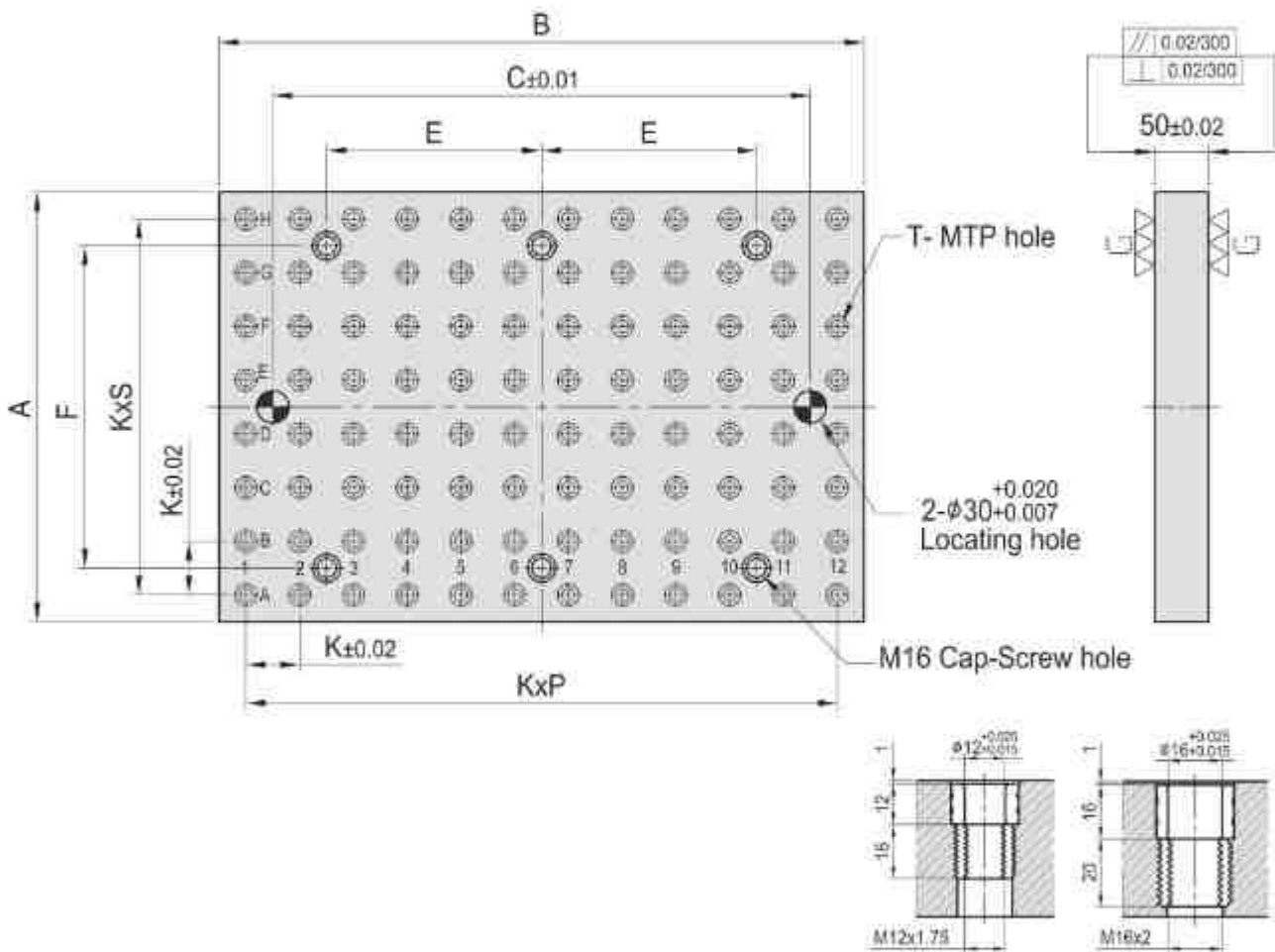
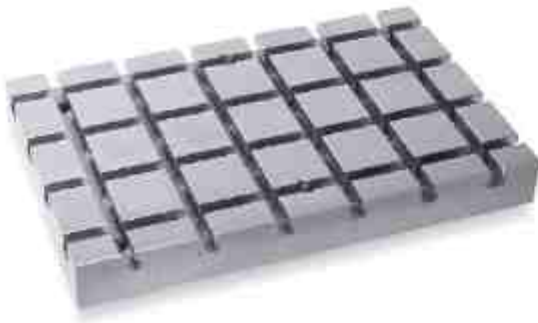


Figure T

MODEL NO.	A	B	C	E	F	K	P	S	MTP	kg
BPG/RT/400600	400	600	-	-	-	50	11	7	96	90
BPG/RT/500600	500							9	120	112
BPG/RT/400800	400	800	-	-	-	50	15	7	128	109
BPG/RT/450900	450						17	8	158	138
BPG/RT/5001000	500	1000	-	-	-	50	19	9	200	165

* Special customised plates also available on request.

Rectangular Base Plate



- ▶ Material : Cast Iron GG30 (DIN) / C45
- ▶ Heat Treated : Normalized
- ▶ Features : * T-Slots available in 14mm & 18mm
 - * T-Slots running in 2 directions
 - * Easily adapts to standardized jig components.
- ▶ Application : Vertical machining center.

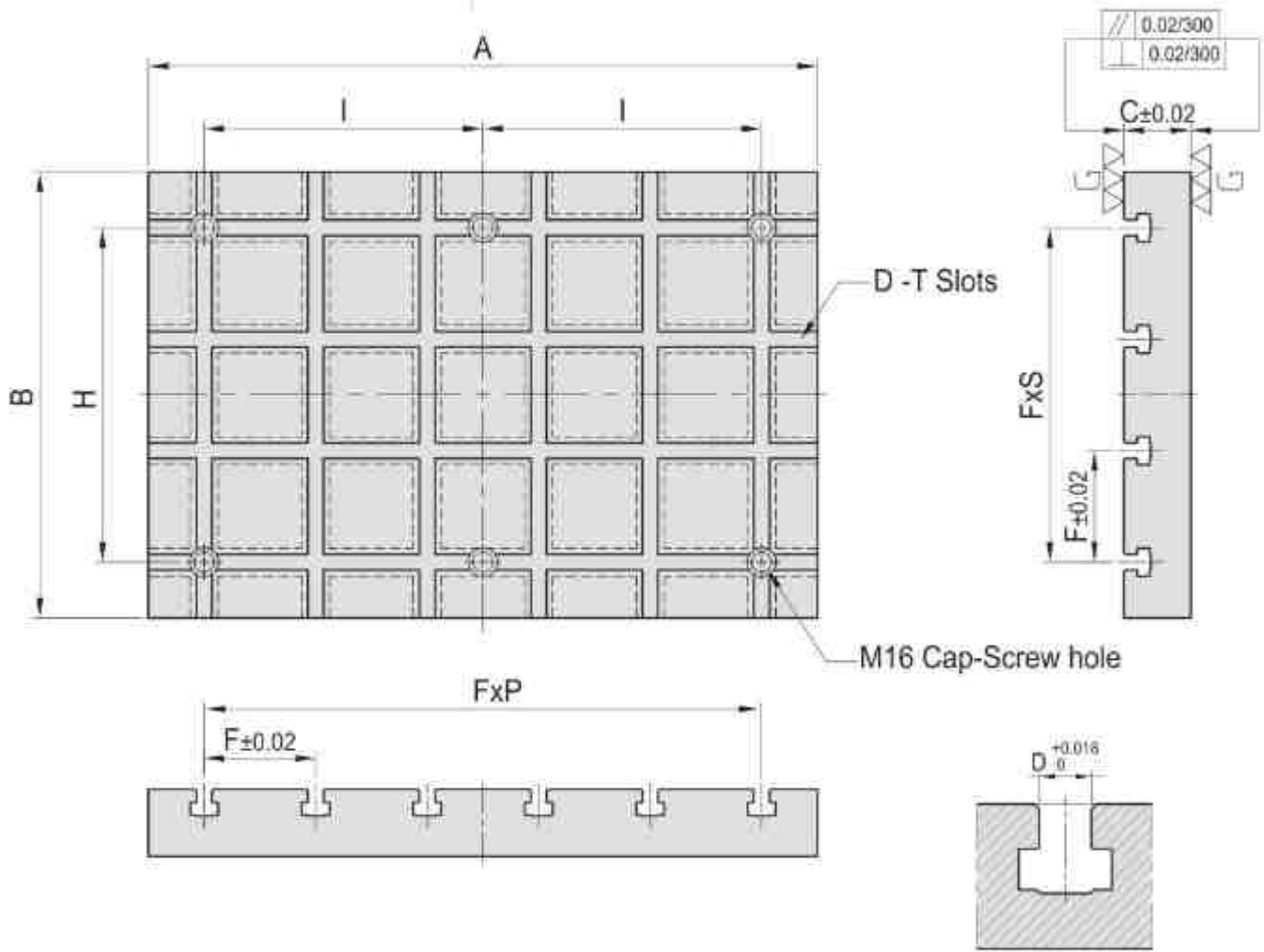


Figure D

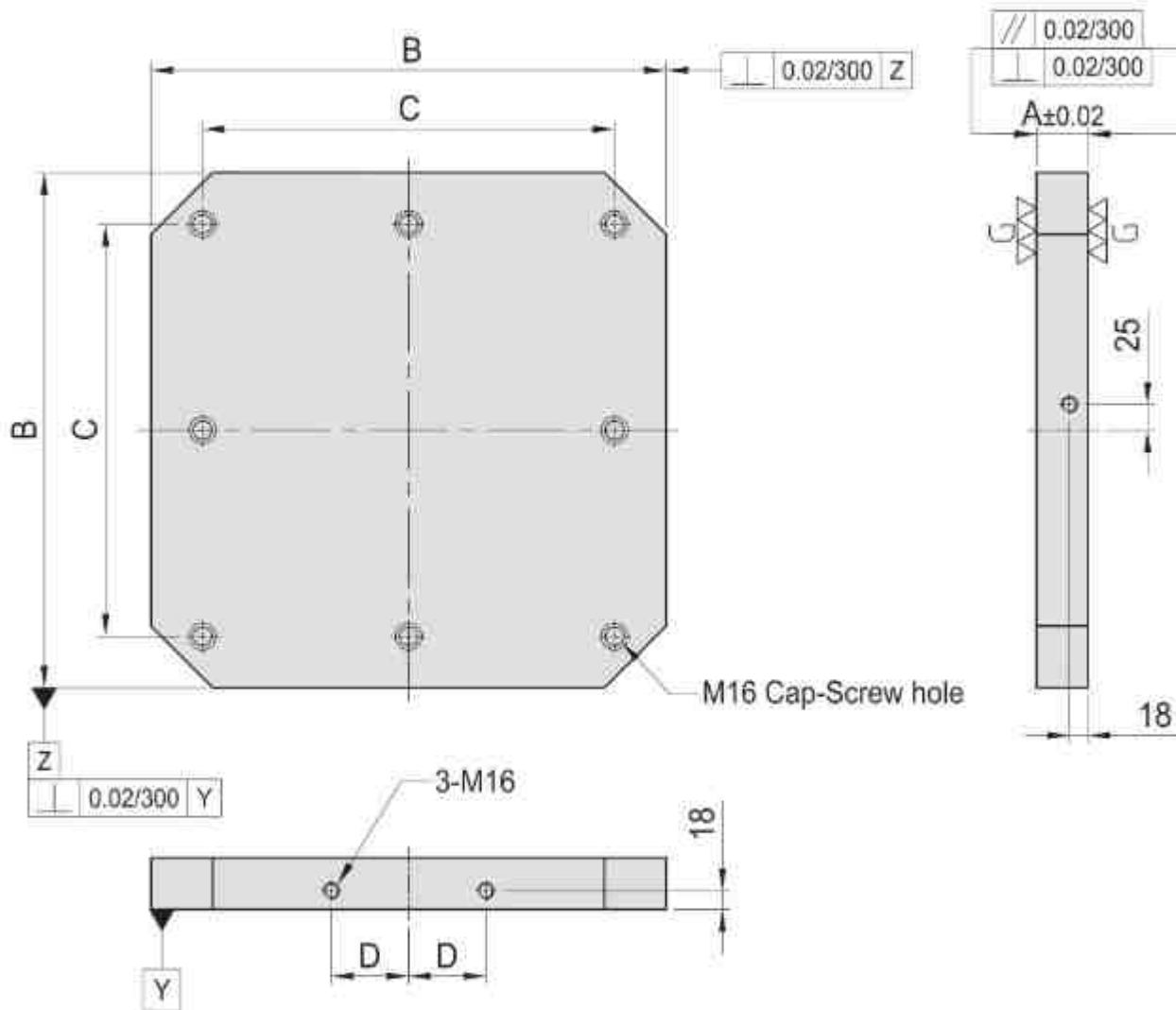
MODEL NO.	A	B	C	F	P	S	H	I	kg
BPT/RT/400600	600	400	60	500	5	3	-	-	92
BPT/RT/500600		500				4			
BPT/RT/400800	800	400	60	500	7	3	-	-	117
BPT/RT/450900	900	450							
BPT/RT/5001000	1000	500	60	100	9	4	-	-	198

* Right to make technical changes reserved.

Square Base Plate



- ▶ Material : Cast Iron GG30 (DIN) / C45
- ▶ Heat Treated (Normalized)
- ▶ Features : * Can be special ordered with any size MTP hole
 - * Thickness available from 35mm to 50mm
 - * All Plates are edge prepped by milling
- ▶ Application : Horizontal machining center.



MODEL NO.	A	B	C	D	Mounting holes	kg
BPP/SQ/400	50	400	320	55	4	57
BPP/SQ/500	50	500	400	75	8	88
BPP/SQ/630	50	630	500	100	8	140
BPP/SQ/800	50	800	640	135	8	225

* Special customised plates also available on request.

Square Base Plate



- ▶ Material : Cast Iron GG30 (DIN) / C45
- ▶ Heat Treated (Normalized)
- ▶ Features : * Alignment bushing
* Threaded Insert
* MTP hole spacing : 50 ± 0.02
* Grid Holes available in M12 & M16
* Easily adapts to standardized jig components.
- ▶ Application : Horizontal machining center.

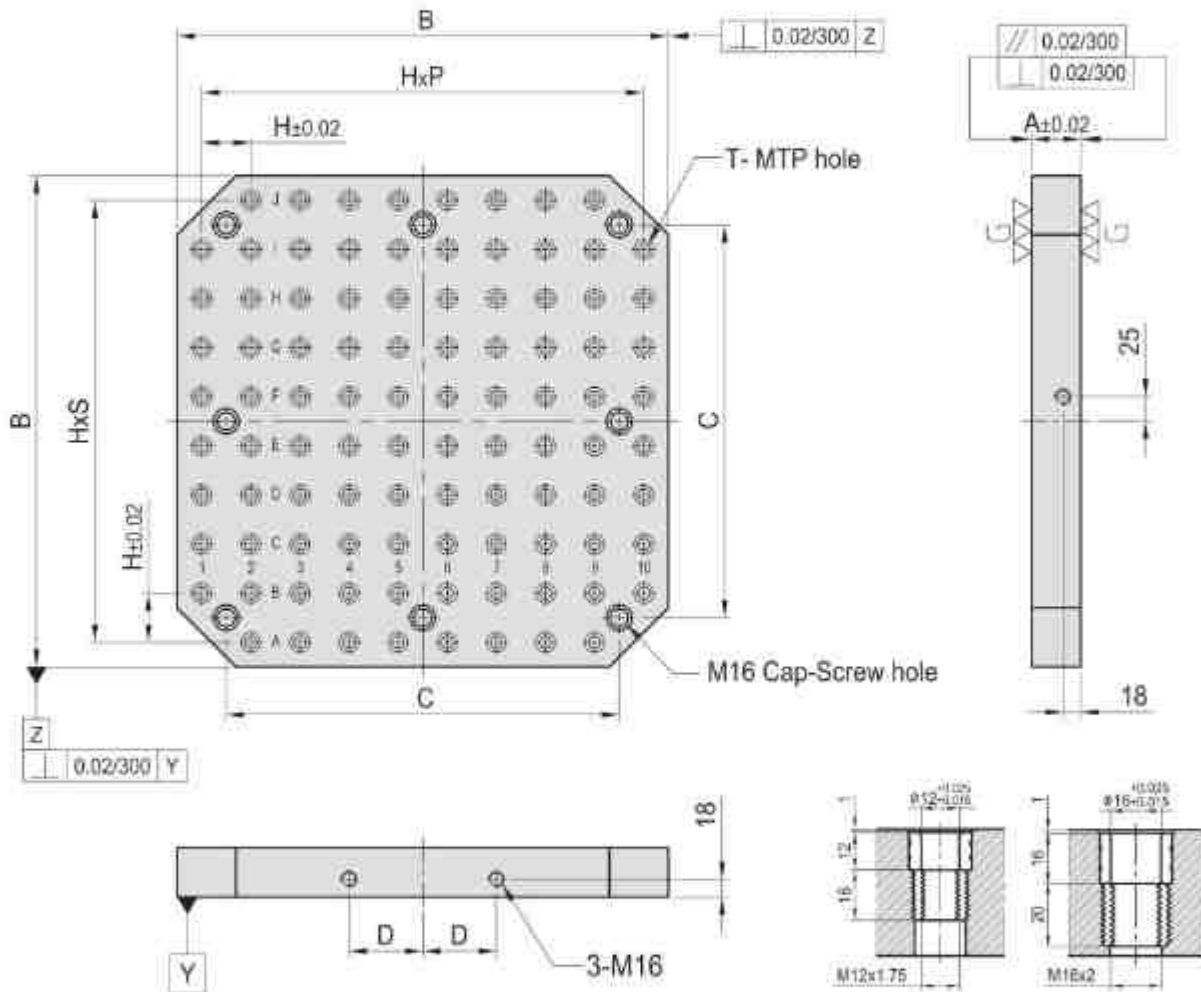


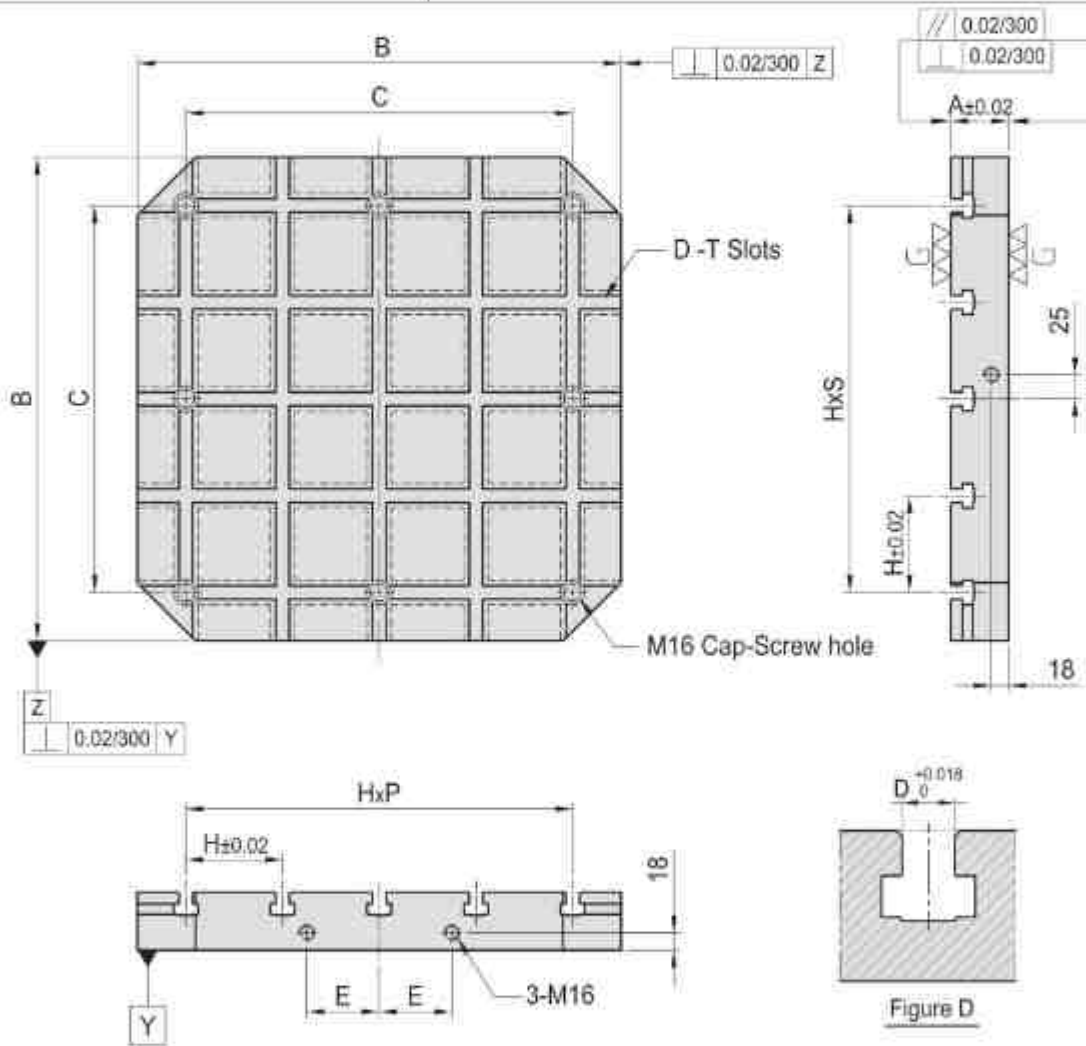
Figure T

MODEL NO.	A	B	C	E	H	P	S	MTP	Mounting holes	kg
BPG/SQ/400	50	400	320	55	50	7	7	59	4	54
BPG/SQ/500		500	400	75		9	9	93	8	83
BPG/SQ/630	50	630	500	100	50	11	11	139	8	135
BPG/SQ/800		800	640	135		15	15	237		206

Square Base Plate



- ▶ Material : Cast Iron GG30 (DIN) / C45
- ▶ Heat Treated (Normalized)
- ▶ Features : * T-Slots available in M14 & M18
 - * T-Slots running in 2 direction
 - * Easily adapts to standardized jig components.
- ▶ Application : Horizontal machining center.



MODEL NO.	A	B	C	E	H	P	S	Mounting holes	kg
BPT/SQ/400	60/75	400	320	55	80	4	4	4	56
BPT/SQ/500		500	400	75	100			8	90
BPT/SQ/630	60/75	630	500	100	125	4	4	8	150
BPT/SQ/800		800	640	135	160				230

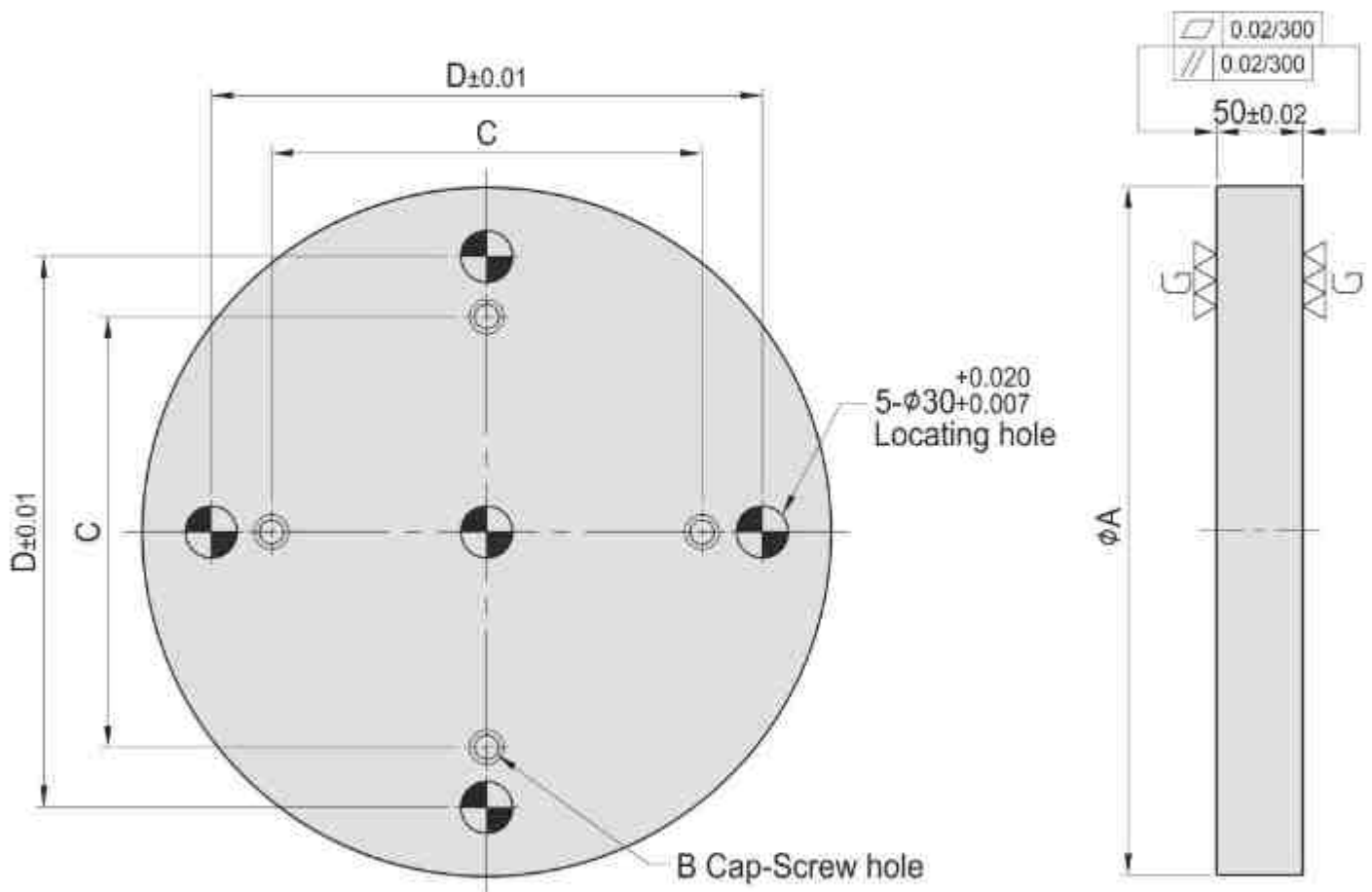
* Special customised plates also available on request.



Round Base Plate



- ▶ Material : Cast Iron GG30 (DIN) / C45
- ▶ Heat Treated (Normalized)
- ▶ Features : * Can be special ordered with any size MTP hole
 - * Thickness available from 35mm to 50mm
 - * All Plates are edge prepped by milling
- ▶ Application : NC rotary table or Indexer.



MODEL NO.	A	B	C	D	kg
BPP/R/D300	300	M12	150	220	25
BPP/R/D400	400		250	320	40
BPP/R/D500	500	M16	300	400	65
BPP/R/D600	600		400	500	95

* Right to make technical changes reserved.

Round Base Plate

- ▶ Material : Cast Iron GG30 (DIN) / C45
- ▶ Heat Treated (Normalized)
- ▶ Features : * Alignment bushing
* Threaded Insert
* MTP hole spacing : 50 ± 0.02
* Grid Holes available in M12 & M16
* Easily adapts to standardized jig components.
- ▶ Application : NC rotary table or Indexer.

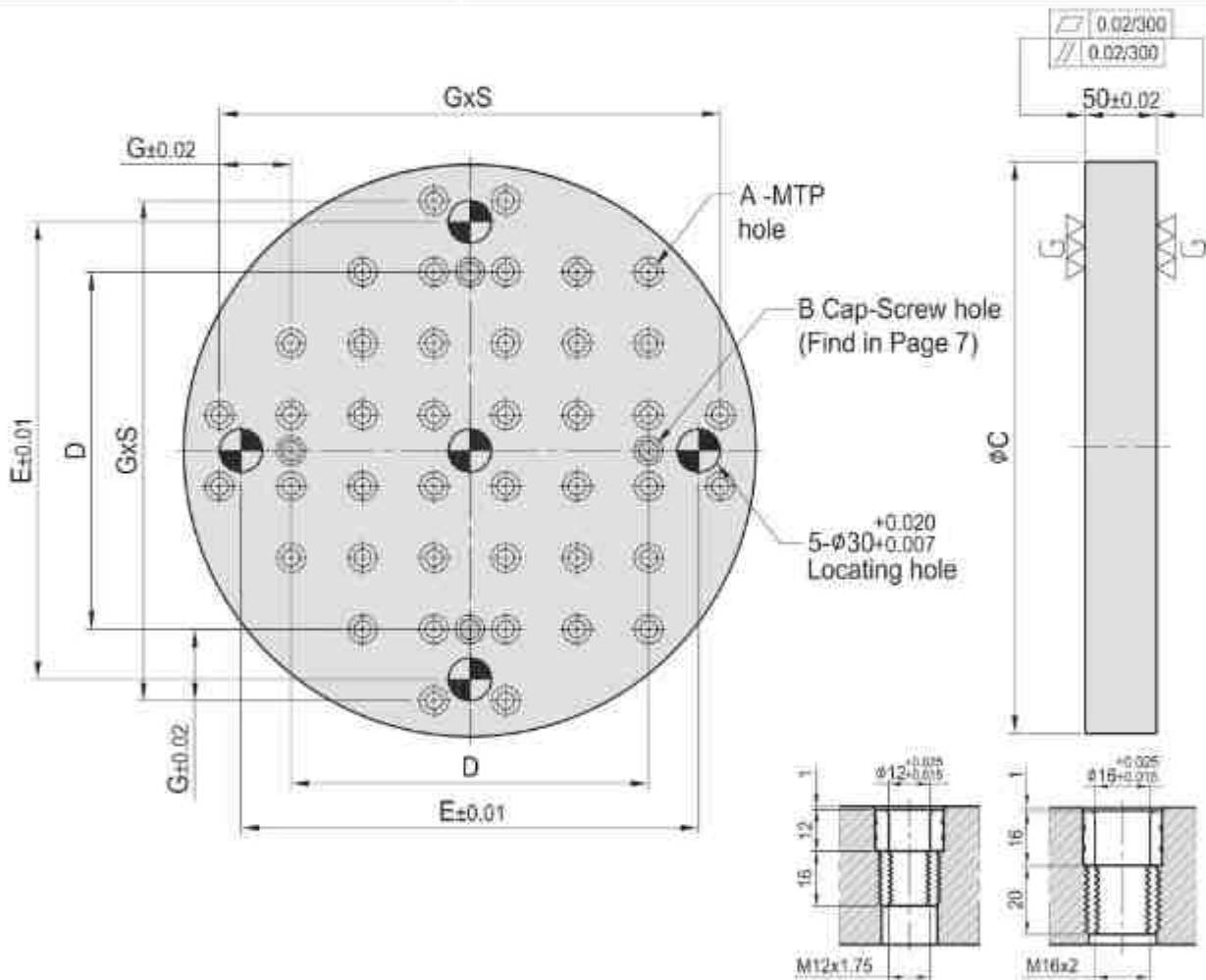


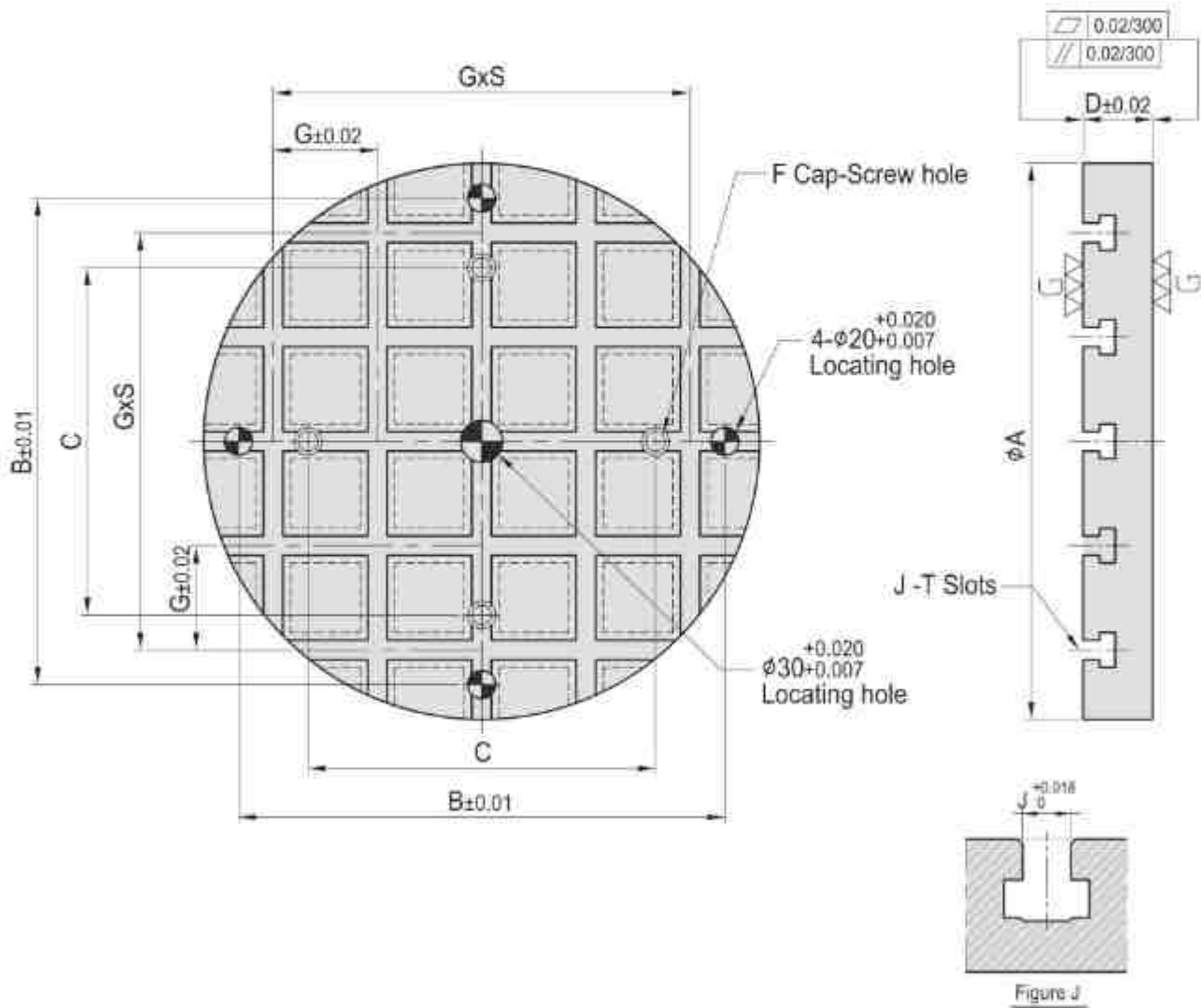
Figure A

MODEL NO.	A	C	D	E	G	S	MTP	kg
BPG/R/D300	Ø12	M12	300	150	220	50	24	23
BPG/R/D400			400	250	320		44	42
BPG/R/D500	Ø12	M12	500	300	400	50	68	70
BPG/R/D600			600	400	500		96	98
BPG/R/D500	Ø16	M16	500	300	400	50	68	68
BPG/R/D600			600	400	500		96	95

* Special customised plates also available on request.

Round Base Plate

- ▶ Material : Cast Iron GG30(DIN) / C45
- ▶ Heat Treated (Normalized)
- ▶ Features : * T-Slots available in M14 & M18
 - * T-Slots running in 2 directions
 - * Easily adapts to standardized jig components.
- ▶ Application : NC rotary table or Indexer.

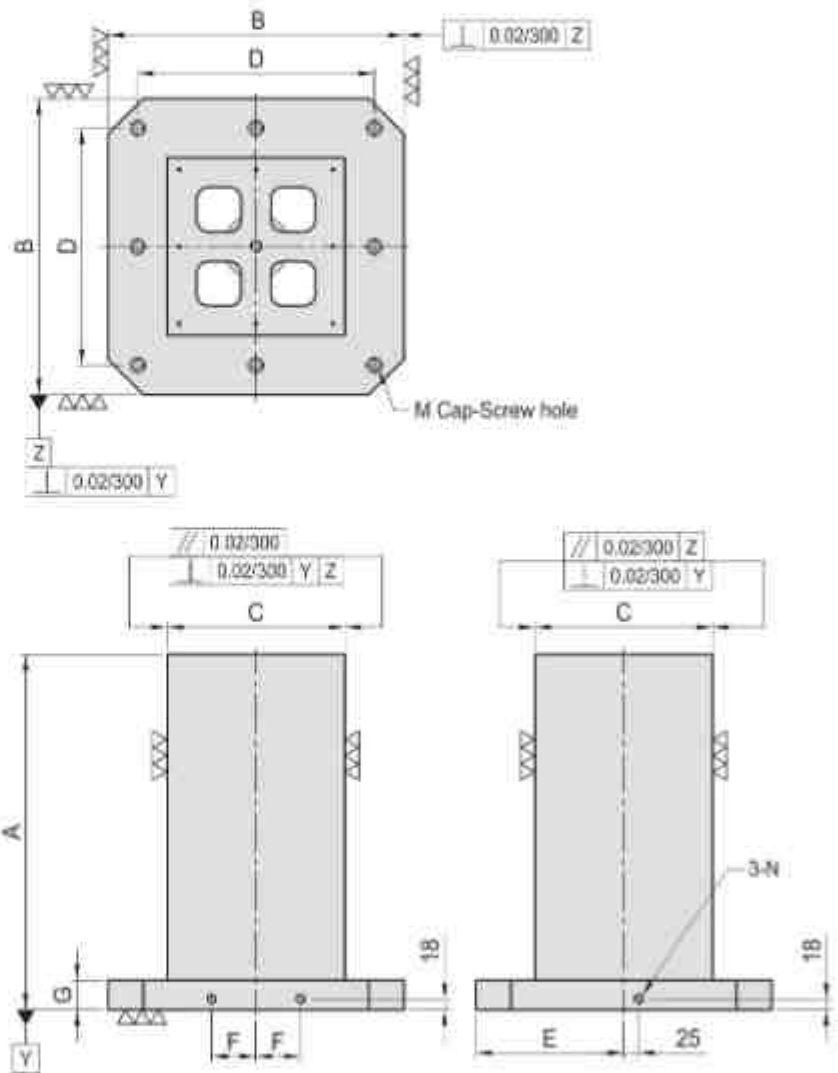


MODEL NO.	A	B	C	D	F	G	S	kg
BPT/R/D300	300	250	150	50	M12	75	2	22
BPT/R/D400	400	350	250				4	36
BPT/R/D500	500	450	300	65	M16	100	4	74
BPT/R/D600	600	550	400				4	110

Square Clamping Column



- ▶ Material : Cast Iron GG30(DIN)/High Strength Aluminum Casting.
- ▶ Heat Treated (Normalized)
- ▶ Features :
 - * Fully machined on all sides.
 - * Side edge locating holes on base.
 - * Top cover to keep out chips and coolant.
 - * Eye bolt for lifting.
- ▶ Application : Horizontal machining center.



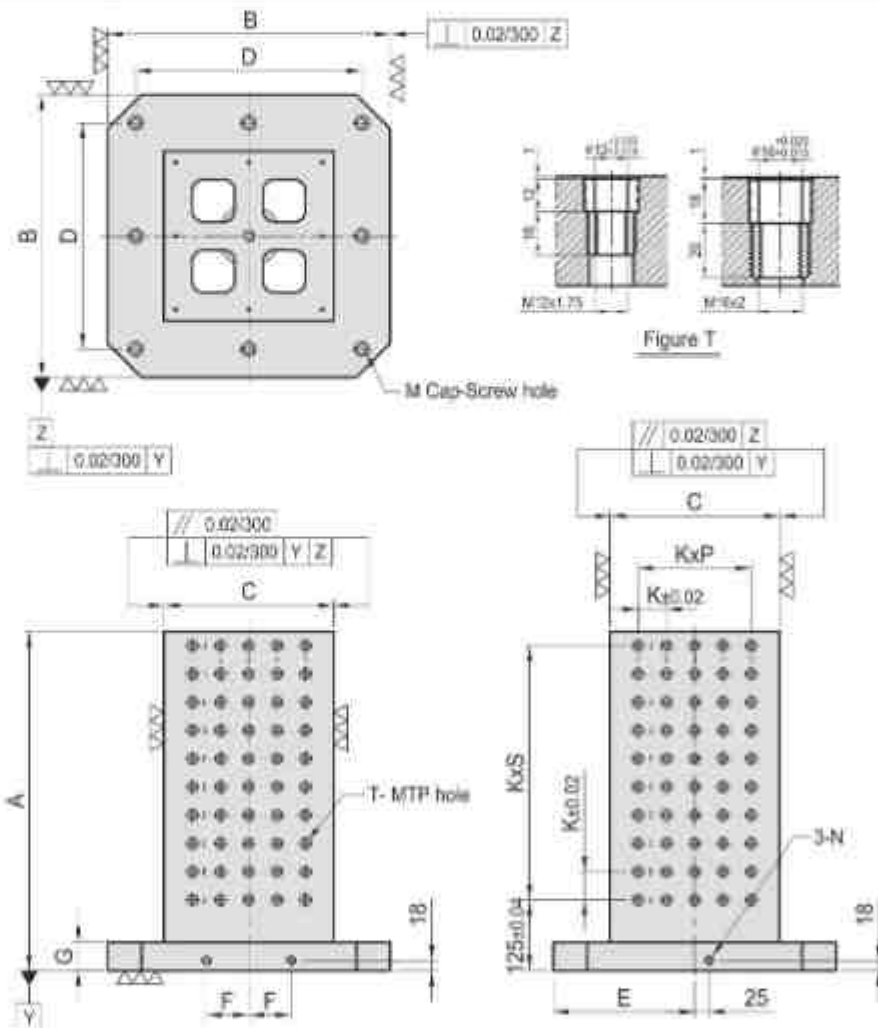
MODEL NO.	A	B	C	D	E	F	G	M	N	Mounting holes	Weight in kg	
											Cast Iron	Aluminum
TSP/SQ/150	500	300	150	250	150	40	50	M12	M12	4	90	-
TSP/SQ/250	500	400	250	320	200	55	50	M16	M16	4	160	56
	650										210	73
TSP/SQ/300	600	500	300	400	250	75	50	M16	M16	8	250	91
TSP/SQ/350	700	630	350	500	315	100	50	M16	M16	8	400	129

* Special customised plates also available on request.

Square Clamping Column



- ▶ Material : Cast Iron GG30 (DIN)/ High Strength Aluminum Casting
- ▶ Heat Treated (Normalized)
- ▶ Features : * Alignment bushing
* Threaded Inserts
* MTP hole spacing : 50 ± 0.02
* Grid Holes available in M12 & M16
* Eye bolt & top cover included.
* Easily adapts to standardized jig components.
- ▶ Application : Horizontal machining center.



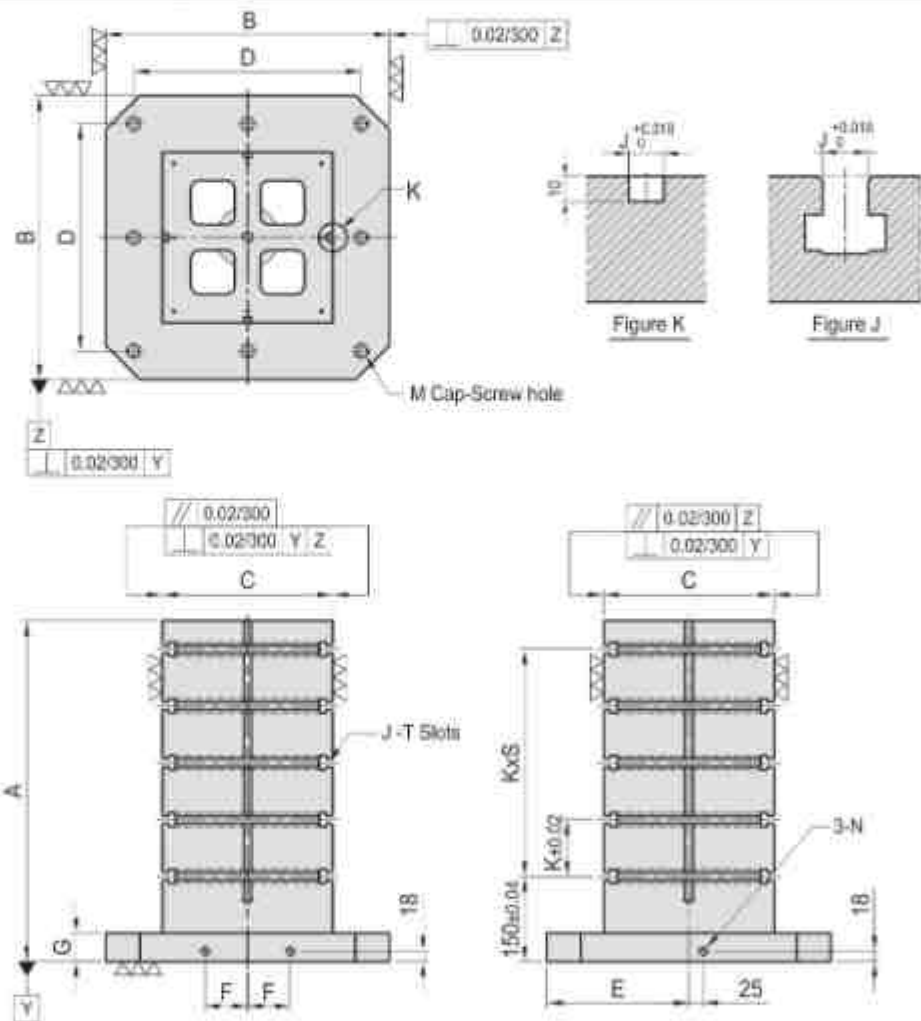
MODEL NO.	A	B	C	D	E	F	G	K	P	S	M	N	MTP Mounting holes	Weight in kg		
														Cast Iron	Aluminum	
TSG/SQ/150	500	300	150	250	150	40	50	50	1	7	M12	M12	64	4	90	-
TSG/SQ/250	500 650	400	250	320	200	55	50	50	3	7	M16	M16	128	4	155	54
													176		200	73
TSG/SQ/300	600	500	300	400	250	75	50	50	4	9	M16	M16	200	8	240	88
TSG/SQ/350	700	630	350	500	315	100	50	50	5	11	M16	M16	288	8	360	126

* Right to make technical changes reserved.

Square Clamping Column



- ▶ Material : Cast Iron GG30(DIN)/ High Strength Aluminum Casting
- ▶ Heat Treated (Normalized)
- ▶ Features :
 - * T-Slots available in M14 & M18
 - * T-Slots running horizontally
 - * Key-way running vertically
 - * Easily adapts to standardized jig components.
 - * Eye bolt & top cover included.
- ▶ Application : Horizontal machining center.



MODEL NO.	A	B	C	D	E	F	G	M	N	K	S	Mounting holes	Weight in kg	
													Cast Iron	Aluminum
TST/SQ/250	500	400	250	320	200	55	50	M16	M16	100	3	4	160	61
	650												210	84
TST/SQ/300	600	500	300	400	250	75	50	M16	M16	100	4	8	270	86
TST/SQ/350	700	630	350	500	315	100	50	M16	M16	125	4	8	375	136

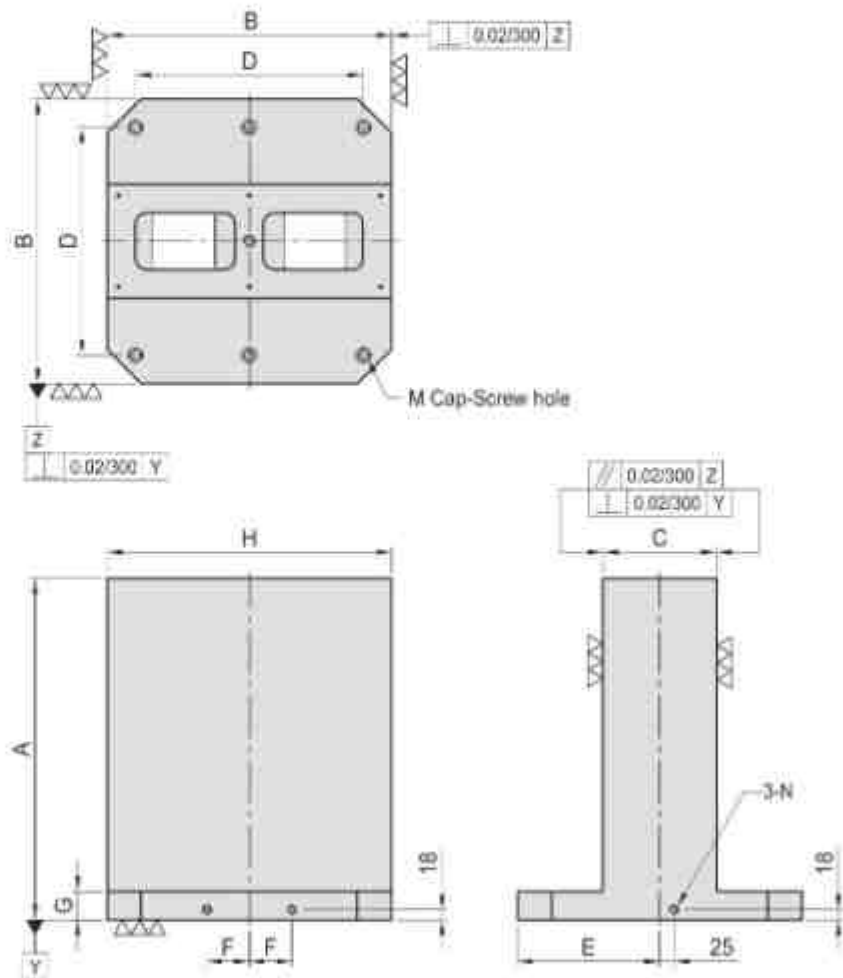
* Special customised plates also available on request.



Double Sided Clamping Column



- ▶ Material : Cast Iron GG30(DIN)/ High Strength Aluminum Casting
- ▶ Heat Treated (Normalized)
- ▶ Features : * Fully machined on all sides.
 - * Side edge locating holes on base.
 - * Top cover to keep out chips and coolant.
 - * Eye bolt for lifting.
- ▶ Application : Horizontal machining center.



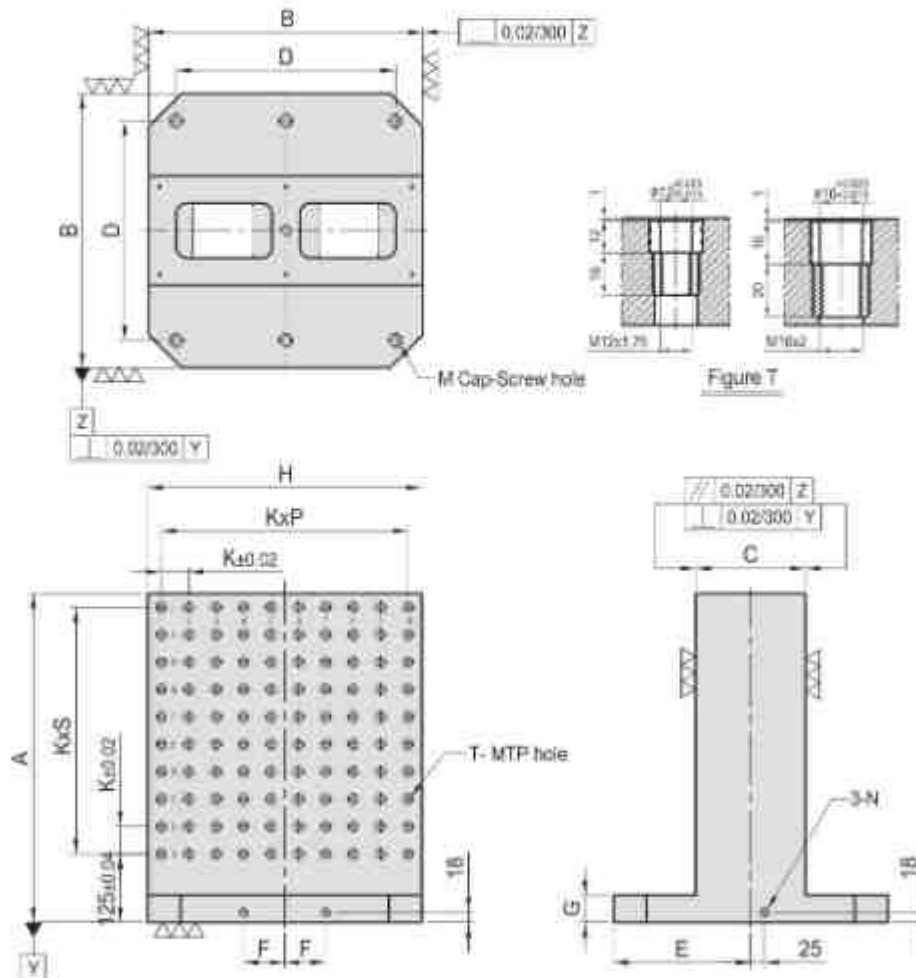
MODEL NO.	A	B	C	D	E	F	G	H	M	N	Mounting holes	Weight in kg	
												Cast Iron	Aluminum
TSP/RT/80300	500	300	80	250	150	40	50	300	M12	M12	4	115	-
TSP/RT/150400	500	400	150	320	200	55	50	400	M16	M16	4	170	62
	650											215	86
TSP/RT/200500	600	500	200	400	250	75	50	500	M16	M16	6	270	96
TSP/RT/250630	700	630	250	500	315	100	50	630	M16	M16	6	445	176

* Right to make technical changes reserved.

Double Sided Clamping Column



- ▶ Material : Cast Iron GG30(DIN) / High Strength Aluminum Casting
- ▶ Heat Treated (Normalized)
- ▶ Features : * Alignment bushing
 - * Threaded Insert
 - * MTP hole spacing : 50 ± 0.02
 - * Grid Holes available in M12 & M16
 - * Easily adapts to standardized jig components.
 - * Eye bolt & top cover included.
- ▶ Application : Horizontal machining center.



MODEL NO.	A	B	C	D	E	F	G	H	K	P	S	M	N	MTP	Mounting holes	Weight in kg	
																Cast Iron	Aluminum
TSG/RT/80300	500	300	80	250	150	40	50	300	50	5	7	M12	M12	96	4	110	-
TSG/RT/150400	500 650	400	150	320	200	55	50	400	50	3	7	M16	M16	128 176	4	165	56 86
TSG/RT/200500	600	500	200	400	250	75	50	500	50	4	9	M16	M16	200	6	265	91
TSG/RT/250630	700	630	250	500	315	100	50	630	50	5	11	M16	M16	288	6	435	154

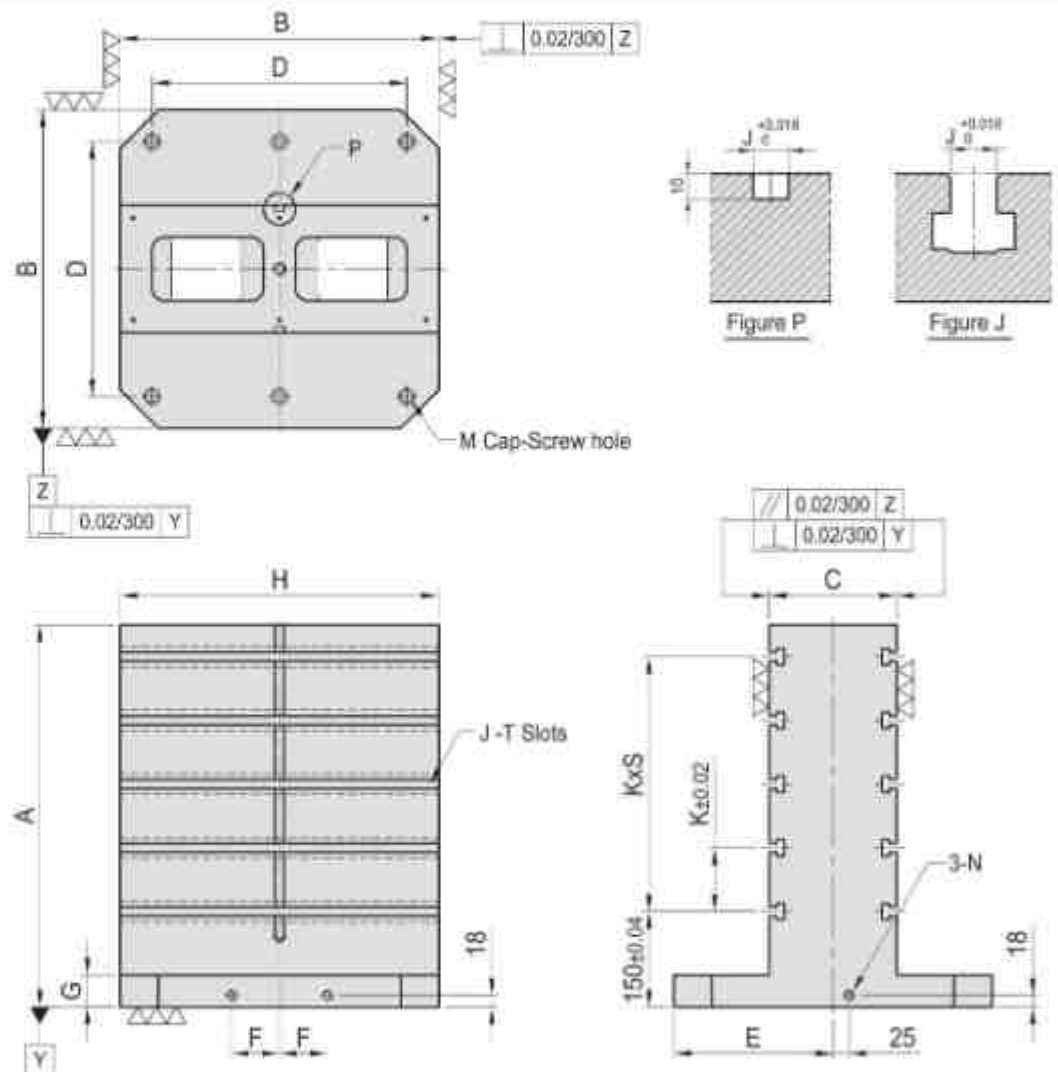
* Special customised plates also available on request.



Double Sided Clamping Column

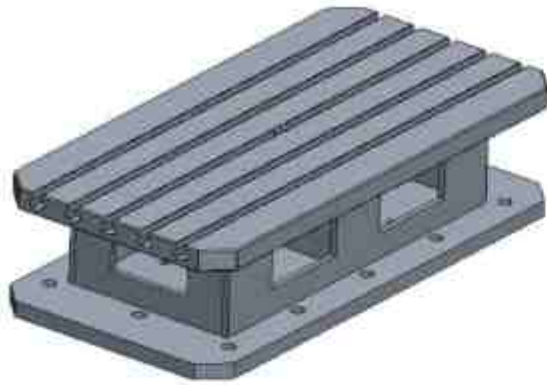


- ▶ Material : Cast Iron GG30(DIN) / High Strength Aluminum Casting
- ▶ Heat Treated (Normalized)
- ▶ Features :
 - * T-Slots available in M14 & M18
 - * T-Slots running horizontally
 - * Key-way running vertically
 - * Easily adapts to standardized jig components.
 - * Eye bolt & top cover included.
- ▶ Application : Horizontal machining center.

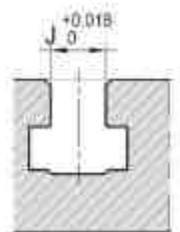
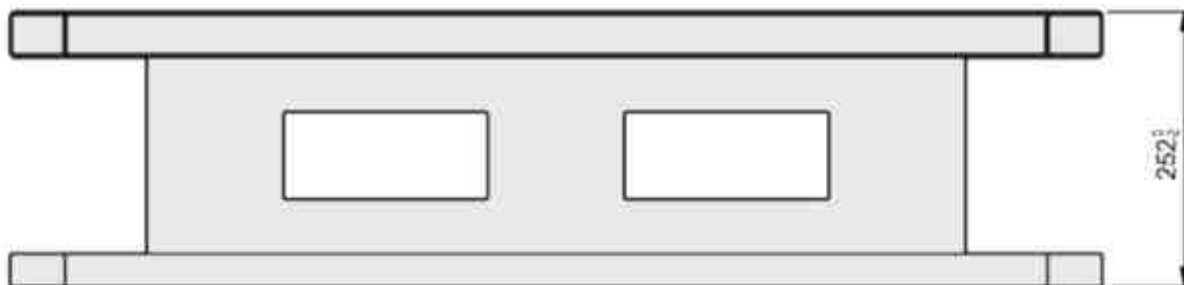
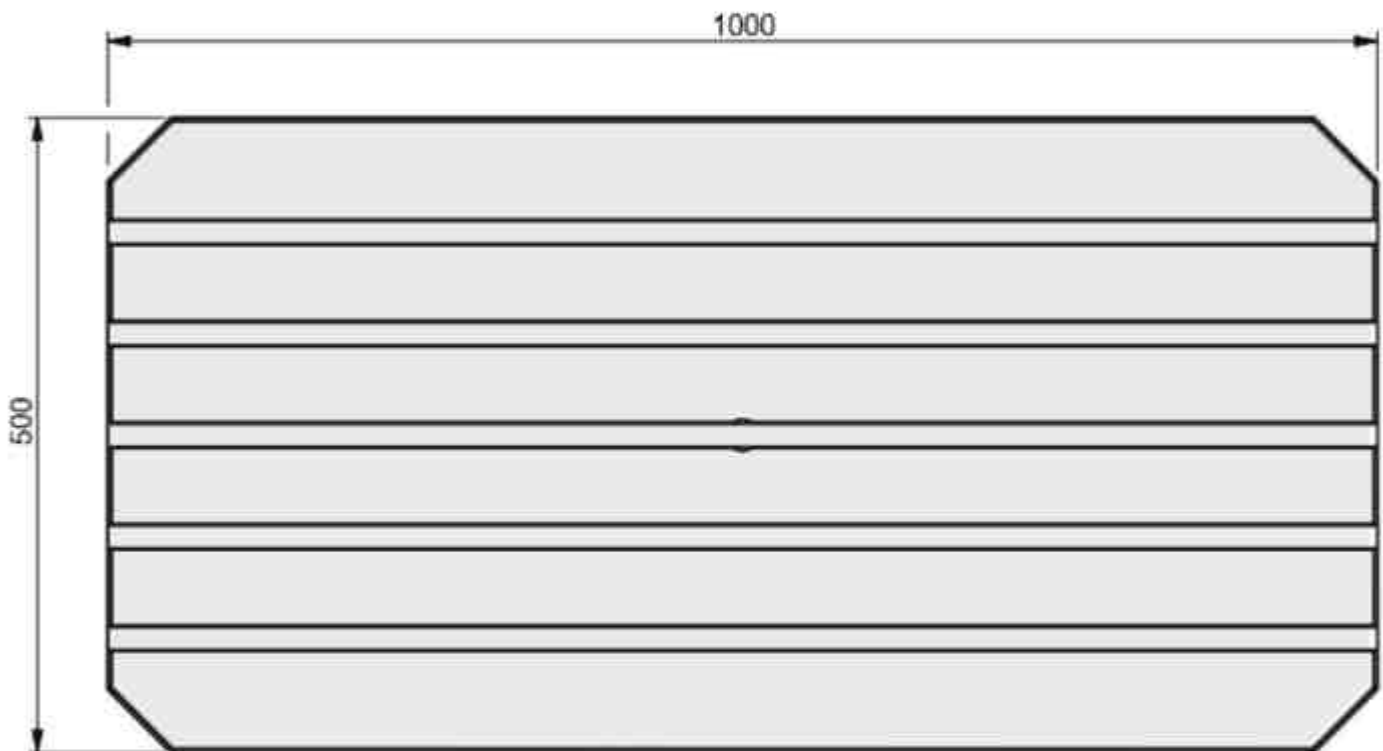


MODEL NO.	A	B	C	D	E	F	G	M	N	H	K	S	Mounting holes	Weight in kg	
														Cast Iron	Aluminum
TST/RT/150400	500	400	150	320	200	55	50	M16	M16	400	100	3	4	170	60
	650													220	92
TST/RT/200500	600	500	200	400	250	75	50	M16	M16	500	100	4	6	290	87
TST/RT/250630	700	630	250	500	315	100	50	M16	M16	630	125	4	6	440	165

* Right to make technical changes reserved.



- ▶ Material : C45
- ▶ Heat Treated & Normalised.
- ▶ Features : * Ready to accept a hole pattern
 - * T-slot pattern for your special jig.
 - * Available in custom sizes.
- ▶ Application : * Vertical machining centers.
 - * Special Purpose Machines.



* Special customised plates also available on request.

MANUFACTURED BY



Manufacturing • Marketing • Sourcing

Corporate & Works : D-1/18, MIDC, Ambad, Nashik - 422 010 (INDIA)
Tel.: +91 - 0253 - 2307662, + 91 - 9975723589.
Web : www.amtplindia.com Email : sales@amtplindia.com